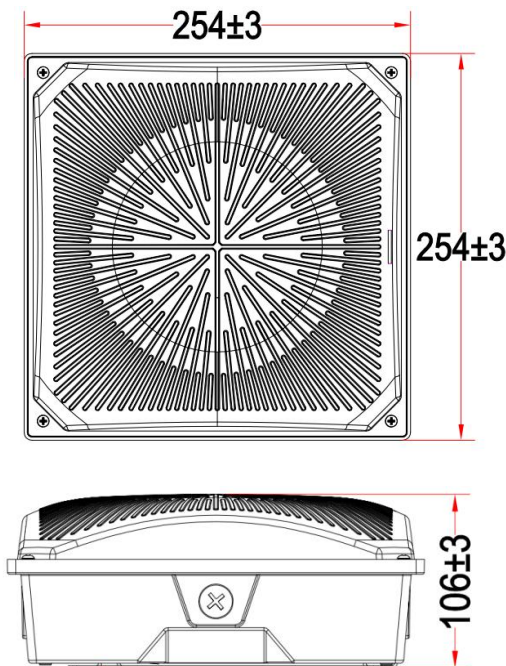


P/N: AST-PG06-75WJSP1DA1-abce

Note:

AST= Company name
 PG06 = Product series, LED Parking Garage Light
 75W = Rating Power
 "J"= Bridgelux 3030 ,LED manufacturer,
 "SP1" = 160°Cover type,
 "D" =dual color temperature, representing the Led Module type,
 "A1" = Version number,
 "a" can be any letters to represent Housing colors.
 "b" can be "P" or blank, "P" for Photocontrol,"P1" for Photocell and CCT adjustment integrated controller, blank for no Photocontrol provided.
 "c" can be "M" or blank, "M" for microwave sensor, blank for no sensor provided.
 "e" can be any digits or blank to represents CCT. can be 30=3000K, 40=4000K, 50=5000K.

DIMENSIONS



Advantage:

- UL cUL DLC-V5.1(Premium) certificate.
- Bridgelux Chip, High CRI.
- IP65 Internal driver,Input voltage 120-277Vac.
- No UV or IR in the beam.
- Easy to install and operate.
- Energy saving, Long lifespan.
- Light is soft and uniform, Safe to eyes.
- Instant start, NO flickering, NO humming.
- Green and eco-friendly without mercury.
- Color Adjustable. 0-10V Dimming.

Application:

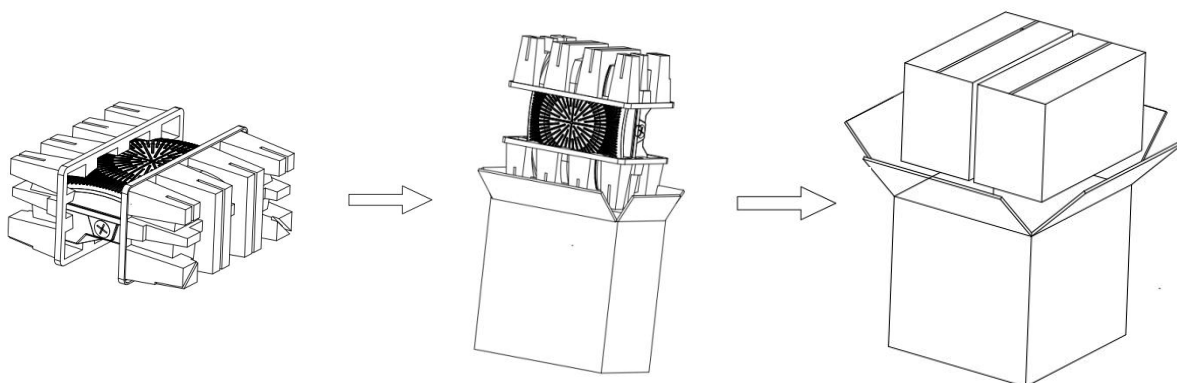
- ◆ Widely used in gas station,service station , underground parking lot,warehouse,garage;
- ◆ Work floor,factory and so on.

SPECIFICATIONS

OPTICAL	Input Power (Tolerance : ±10%)	75W		
	Color Temperature (Color Tunable)	3000K	4000K	5000K
	Lumen (Tolerance : -10%)	9023LM	9645LM	9629LM
	Efficacy (Tolerance : -3%)	122LM/W	135LM/W	130LM/W
	CRI	>80		
	Color Consistency	<7 Steps (or <7 SDCM)		
	BUG	B3-U3-G3		
	Diffuser Type	PC		
	Beam Angle (50%) (Tolerance : ±5%)	160 Degree		
ELECTRICAL	Input Voltage and Frequency	120-277VAC, 50/60Hz;		
	PF (Tolerance : -3%)	≥0.9		
	THD (Tolerance : +5%)	≤20%		
	Flicker Percent	<5%		
	Driver Brand	BECKY		
	Driver Model	BQE85-1580-43-PV		
	Driver Surge protection	L/N-PE: 6kV, L-N: 4kV		
	Dimming	0-10V dimming standard		
MATERIALS	LED Brand	Bridgelux 3030		
	LED Type	SMD3030 (1W)		
	LED QTY	98 PCS 3000K+98 PCS 5000K		
	Housing	Die-cast aluminum		
	Housing Color	White, or Customized		
	Waterproof Rating	WET (IP65)		
OTHERS	Operating Temperature	-30°C TO +45°C		
	Storage Temperature	-30°C TO 85°C		
	Operating Humidity	20% - 90% RH		
	Storage Humidity	10%-95% RH		
	Warranty	5 years warranty with 24/7 operating hours Luminaire lifetime at 25°C.		

PACKAGE

	Size	Qty / Carton	Net Weight / Carton	Gross Weight / Carton
Inner box	308*158*310 mm	1 PCS	2.84 KG	3.46 KG
Outer box	332*323*330 mm	2 PCS	5.68 KG	7.638 KG



LIGHT DISTRIBUTION TESTING PARAMETERS

Luminaire Property

Luminaire Manufacturer:
 Luminaire Category:
 Lamp Catalog:
 Number of Lamps:
 Luminous Length (mm):
 Luminous Height (mm):
 Current: 0.615 A
 Power Factor: 0.996

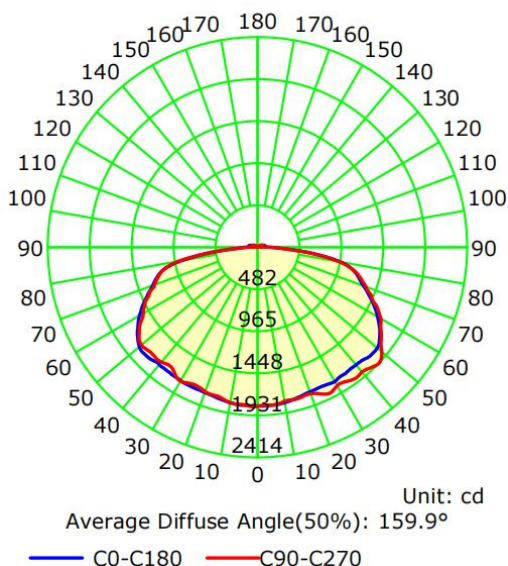
Luminaire Description:
 Lamp Description:
 Lumens per Lamp:
 Luminous Width (mm):
 Voltage: 120.0 V
 Power: 73.51 W

Photometric Results

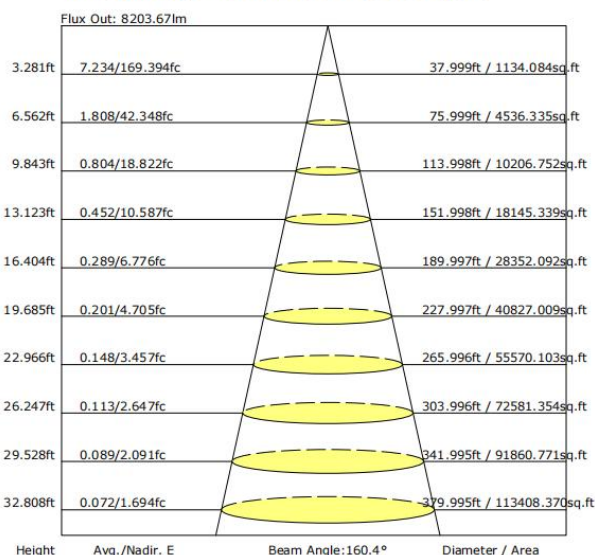
IES Classification: Type IV
 Total Rated Lamp Lumens: 9023.1 lm
 Efficiency: 100%
 Upward Ratio: 3%
 CO_R Intensity: 1823.34 cd
 Pos of Max. Intensity: H90 V46

Longitudinal Classification: Very Short
 Measurement Flux: 9023.1 lm
 Downward Ratio: 97%
 Luminaire Efficacy Rating (LER): 122.80
 Max. Intensity: 1931.43 cd

Luminous Intensity Distribution Curve



The Average Illuminance Effective Figure



Notice For User

- ◆ Please turn off power before install or change assembly parts.
- ◆ The input voltage and lamps should be matched, after connecting the power line, Please make sure the wiring section is insulated.
- ◆ No-professionals, must not install and disassemble the lamps.

Trouble Shootings

Troubles	Check points
Flickering of the light	Turn off the power and turn on again in 3 minutes. If same phenomena occur, then call agencies
Out of working	Please check the connection