



P/N: AST-FL06E-30WXYA1-abcd

Note:

AST= Company name

FL06E = Product series, LED Flood Light

30W = Rating Power

X = LED manufacturer, X=B, for LUMILEDS 2835

Y = Diffuser light angle type;

A1 = Version number

“a” can be any two letters for lamp colors; “BH = Black、WH=White、BR=Bronze or Customized”;

“b” can be “YM”, “FM”, “AM”, for bracket type;

“c” can be “10SP”, “20SP” or blank for Surge protector provided or not;

“d” can be any two-digit number to represent CCT. ”
30=3000K、40=4000K、50=5000K、57=5700K、6500K” .

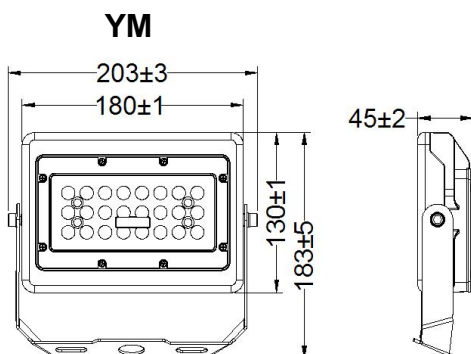
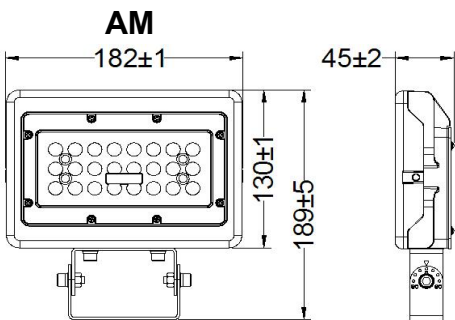
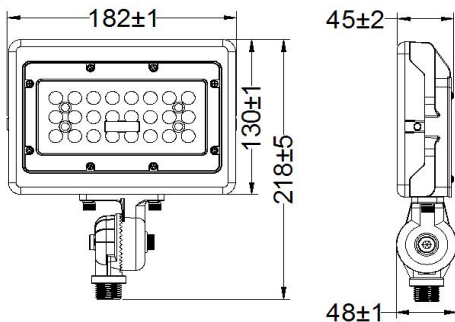
AM

YM

FM



DIMENSIONS



YM

FM

ADVANTAGE

- UL cUL certificate.
- Lumileds Chip, high CRI.
- Input voltage 120-277VAC.
- Output constant current lever can be adjusted through output cable with 0-10V.
- No UV or IR in the beam.
- Easy to install and operate.
- Energy saving, long lifespan.
- Light is soft and uniform, safe to eyes.
- Instant start, NO flickering, NO humming.
- Green and eco-friendly without mercury.

APPLICATION

- Factory floor, libraries, square, park;
- Supermarkets, railway stations;
- Advertising lighting, etc.

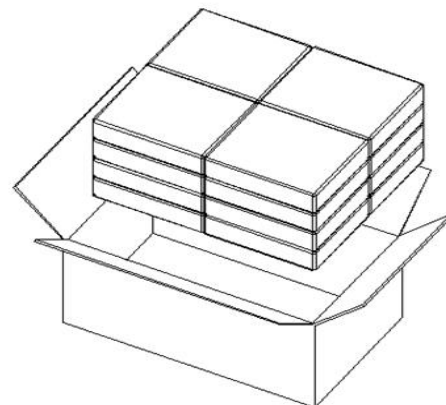
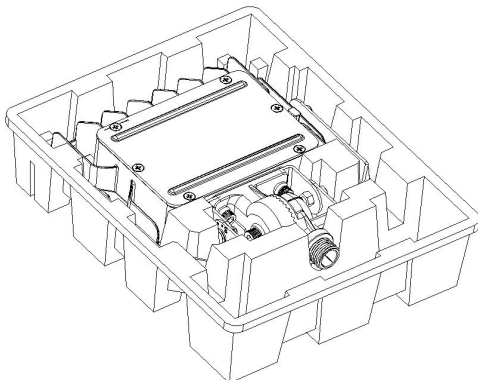
SPECIFICATIONS

OPTICAL	Input Power (Tolerance : ±10%)	30W	
	Color Temperature	3000K	4000K-6500K
	Lumen (Tolerance : -10%)	3600-3750 LM	3750-3900 LM
	Efficacy (Tolerance : -3%)	120-125 LM/W	125-130LM/W
	CRI	>80	
	Color Consistency	<6 Steps (or <6 SDCM)	
	Distribution Pattern	7H7V	
	Beam Angle (50%) (Tolerance : ±15%)	150 Degree	
ELECTRICAL	Input Voltage and Frequency	120-277VAC, 50/60Hz	
	PF (Tolerance : -3%)	≥0.9	
	THD (Tolerance : +5%)	≤20%	
	Flicker Percent	<80%	
	Driver Brand	HBE	
	Driver Model	HB-FL06F030	
	Driver Surge protection	L/N-PE: 2.5kV, L-N: 2.5kV	
	Dimming	0-10V dimming standard	
	Optional Accessory	Surge-protective Device	
MATERIALS	LED Brand	Lumileds	
	LED Type	SMD2835	
	LED QTY	48 PCS	
	Housing	Die-cast aluminum	
	Housing Color	Brown, Black, or Customized	
	EPA	0.30 ft²	
	Waterproof Rating	WET (IP65)	
OTHERS	Operating Temperature	-30°C TO 45°C;	
	Storage Temperature	-40°C TO 80°C	
	Operating Humidity	20% - 90% RH	
	Storage Humidity	20% - 95% RH	
	Warranty	5 years warranty with 24/7 operating hours Luminaire lifetime at 25°C.	

PACKAGE

Bracket Type	Carton Size	Qty / Carton	Net Weight / Carton	Gross Weight / Carton
AM、YM、FM	Outer box	487*300*310mm	8 PC	11.9Kg
	Inner box	235*70*290mm	1 PC	1.39Kg

Tolerance of Carton Size: ±15 MM, Tolerance of Weight: ±10%.



LIGHT DISTRIBUTION TESTING PARAMETERS

Luminaire Property

Luminaire Manufacturer:

Voltage: 120.5 V

Power: 30.83 W

Current: 0.259 A

Power Factor: 0.988

Photometric Results

IES Classification: Type II

Total Rated Lamp Lumens: 4243.2 lm

Efficiency: 100%

Upward Ratio: 1%

Central Intensity: 1660.93 cd

Pos of Max. Intensity: H202.5 V1

Longitudinal Classification: Very Short

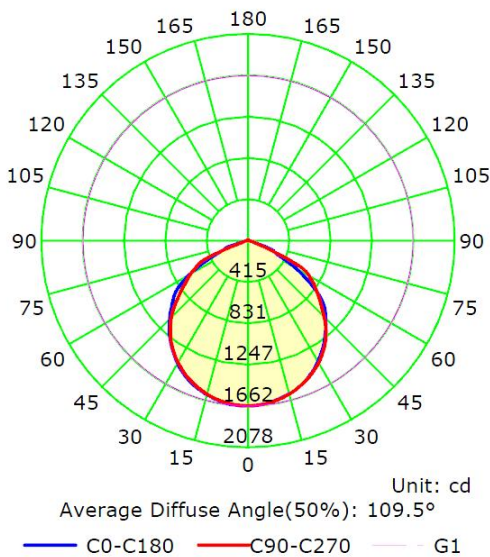
Measurement Flux: 4243.2 lm

Downward Ratio: 99%

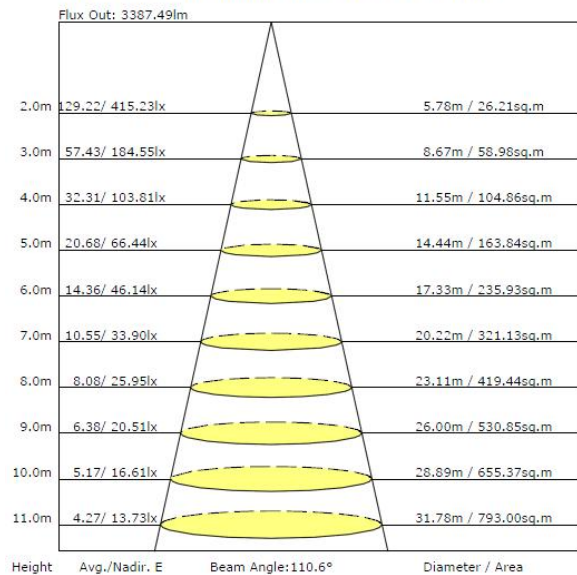
Luminaire Efficacy Rating (LER): 137.68

Max. Intensity: 1662.89 cd

Luminous Intensity Distribution Curve



The Average Illuminance Effective Figure



NOTICE FOR USER

- Please turn off power before install or change assembly parts.
- The input voltage and lamps should be matched, after connecting the power line, Please make sure the wiring section is insulated.
- No-professionals, must not install and disassemble the lamps.

TROUBLE SHOOTINGS

Troubles	Check points
Flickering of the light	Turn off the power and turn on again in 3 minutes. If same phenomena occur, then call agencies.
Out of working	Please check the connection.