



P/N: AST-MWP09-20WXYSA1-abcd

Note:

AST= Company name;

MWP09= Product series, LED Wall Pack;

20W = Rating Power;

“X” can be any alphabet for LED manufactory,

B=Lumileds;

“Y” can be any alphabet for diffuser type;

“S”=Single color temperature;

“a” can be any two letters to represent lamp colors;

BR=Brown, BH=Black, or Customized;

“b” can be “P” or blank,

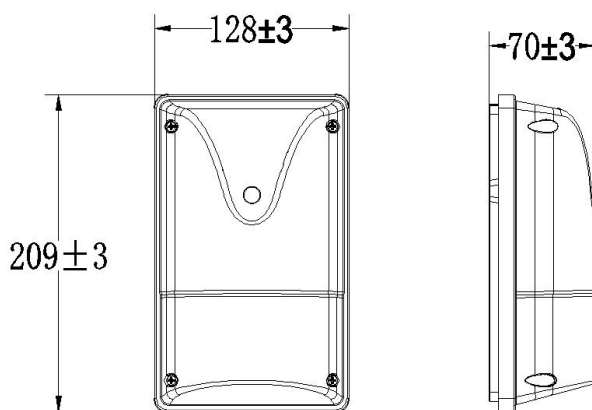
P= Photocontrol type provided ;

“C” can be “W” or blank,

W= Wattage Tunable ;

“d” can be any digits or blank to represents CCT

DIMENSIONS



ADVANTAGE

- UL cUL certificate.
- Lumileds Chip, high CRI.
- Input voltage 120-277VAC.
- Output constant current lever can be adjusted through output cable with 0-10V.
- No UV or IR in the beam.
- Easy to install and operate.
- Energy saving, long lifespan.
- Light is soft and uniform, safe to eyes.
- Instant start, NO flickering, NO humming.
- Green and eco-friendly without mercury.

APPLICATION

- entrance lighting, courtyard lighting.
 - Industrial lighting, Outdoor landscape lighting.
 - Building, The hotel.
- Wall lighting area and so on.

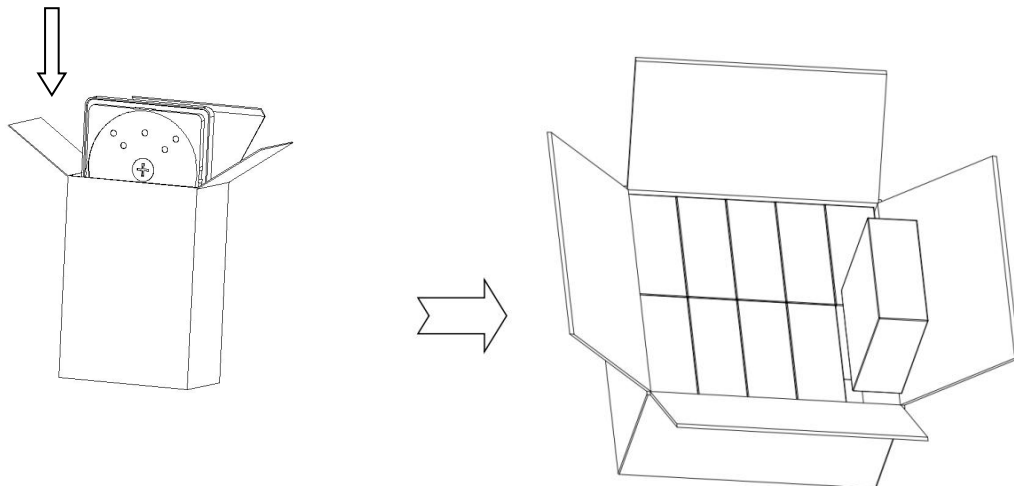
SPECIFICATIONS

OPTICAL	Input Power (Tolerance : ±10%)	20W(Wattage Tunable: 20W 15W 10W)	
	Color Temperature	2700K-3000K	4000K-5700K
	Lumen (Tolerance : ±10%)	2400-2600LM	2500-2700LM
	Efficacy (Tolerance : ±3%)	120-130LM/W	125-135LM/W
	CRI	>80	
	Color Consistency	<6 SDCM	
	Distribution Pattern	Matte lens	
	Beam Angle (50%) (Tolerance : ±15%)	100 Degree	
ELECTRICAL	Input Voltage and Frequency	120-277VAC, 50/60Hz	
	PF (Tolerance : -3%)	≥0.9	
	THD (Tolerance : +5%)	≤20%	
	Flicker Percent	<70%	
	Driver Brand	MARCH	
	Driver Model	HB-FL19F025	
	Driver Surge protection	L/N-PE: 2.5kV, L-N: 2.5kV	
	Dimming	0-10V dimming standard	
Optional Accessory	Photocontrol		
MATERIALS	LED Brand	Lumileds	
	LED Type	SMD2835	
	LED QTY	63pcs	
	Housing	Die-cast aluminum	
	Housing Color	Brown, Black, or Customized	
	Waterproof Rating	WET (IP65)	
OTHERS	Operating Temperature	-40°C TO 50°C / With EM: 0°C TO 50°C	
	Storage Temperature	-40°C TO 85°C	
	Operating Humidity	10% - 90% RH	
	Storage Humidity	5% - 95% RH	
	Warranty	5 years	

PACKAGE

	Carton Size	Qty / Carton	Net Weight / Carton	Gross Weight / Carton
Inner box	135*80*219mm	1	0.7kg	0.77kg
Outer box	417*285*239mm	10	7kg	9kg

Tolerance of Carton Size: ±15 MM, Tolerance of Weight: ±10%.



LIGHT DISTRIBUTION TESTING PARAMETERS**NOTICE FOR USER**

- Please turn off power before install or change assembly parts.
- The input voltage and lamps should be matched, after connecting the power line, Please make sure the wiring section is insulated.
- No-professionals, must not install and disassemble the lamps.

TROUBLE SHOOTINGS

Troubles	Check points
Flickering of the light	Turn off the power and turn on again in 3 minutes. If same phenomena occur, then call agencies.
Out of working	Please check the connection.